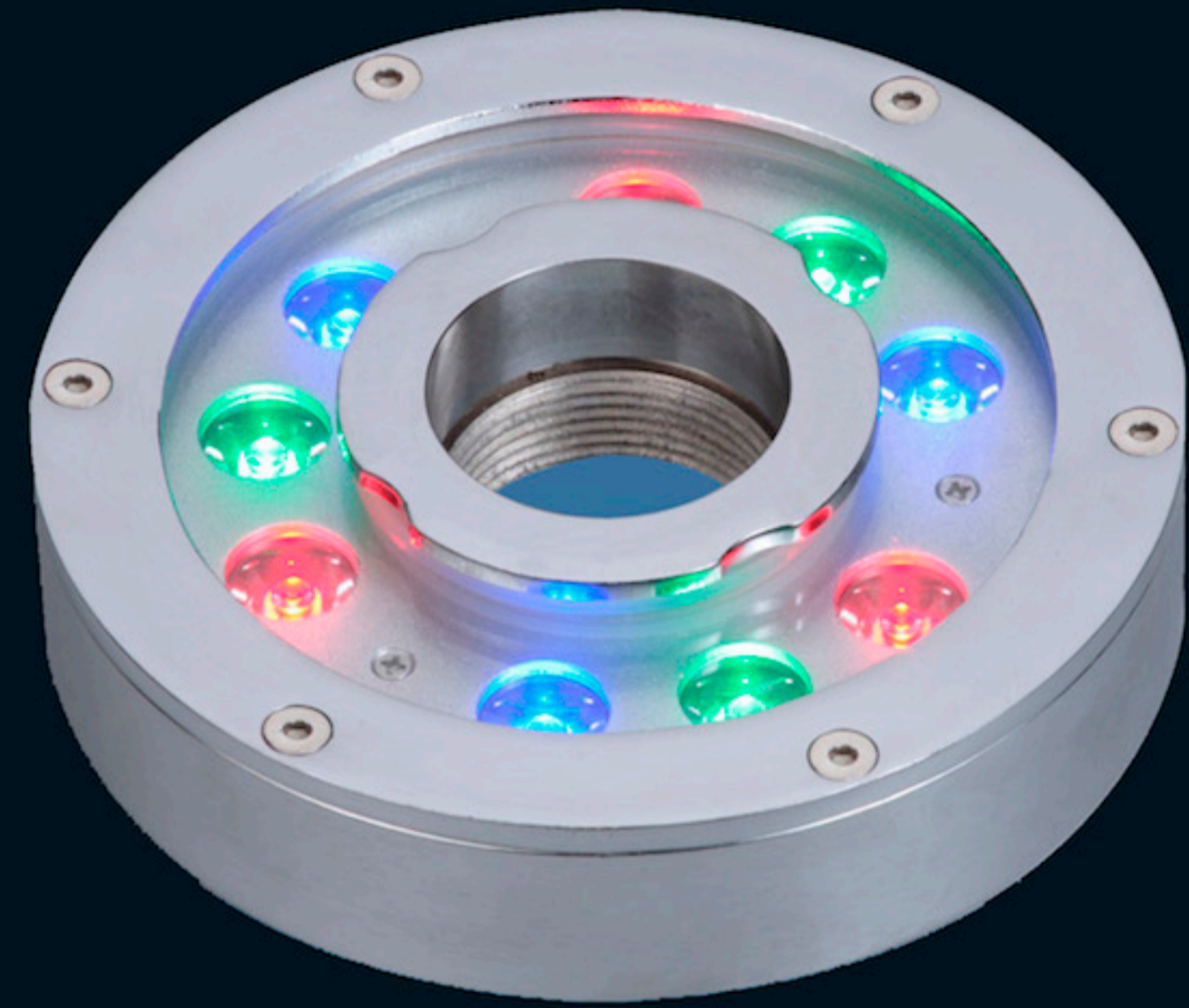


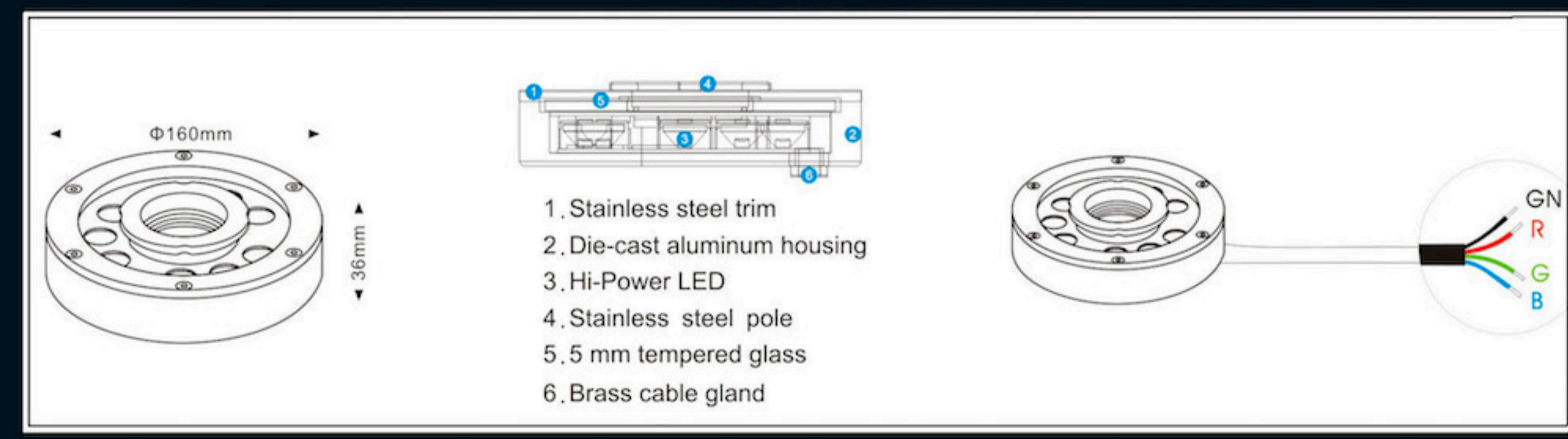


LED Fountain Light

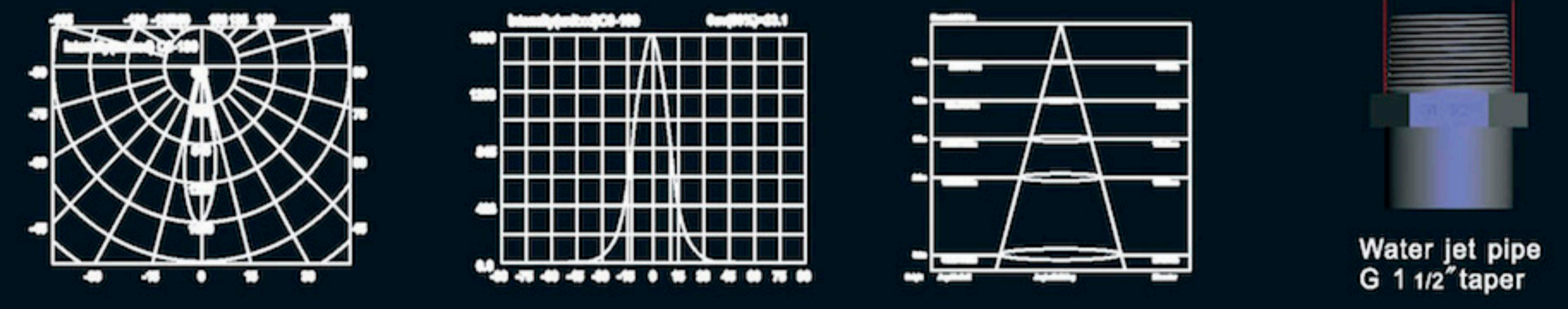
HIGH POWER LED FOUNTAIN LIGHT



- ZR-4J0901
- ZR-4J0902
- ZR-4J0903
- ZR-4J0904
- ZR-4J0906



Graphical representation



Item No.	Light source	Degree (°)	Input voltage (v)	Typical operating current (mA)	Typical consumption (w)	Typical luminance (lm)	IK rate
ZR-4J0901	9X1W	25	24VDC	450	10.8	Cool white=792 Warm white=648	09
ZR-4J0902	9X2W	25	24VDC	882	21	Cool white=1584 Warm white=1440	09
ZR-4J0903	9X1W RGB	25	24VDC	R=90 G=150 B=150	R=2.2 G=3.6 B=3.6	R=144 G=120 B=48	09
ZR-4J0904	9X2W RGB	25	24VDC	R=240 G=330 B=330	R=5.8 G=8 B=8	R=240 G=216 B=84	09
ZR-4J0906	9X3W RGB 3in1	25	24VDC	R=284 G=460 B=451	28.6	R=432 G=360 B=144	09