



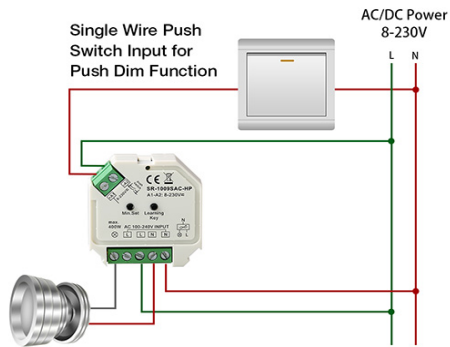
Mini Size, Easy to be Installed into A Standard 86\*86mm Wall Box





1 Channel Up to **400W** power output  
**100-240VAC** Input and Output Voltage



- Great compatibility with a variety of Perfect RF series single color
- Can be WiFi controlled via APP installed on IOS or Android



### Comparing with Competitor's Product

 <b>SR-1009SAC-HP</b>	<b>VS</b>	 <b>Competitor's Similar Product</b>
<ul style="list-style-type: none"> <li>Push Dim <input checked="" type="checkbox"/></li> <li>RF Remote <input checked="" type="checkbox"/></li> <li>WiFi Control <input checked="" type="checkbox"/></li> </ul>		<ul style="list-style-type: none"> <li>Push Dim <input checked="" type="checkbox"/></li> <li>RF Remote <input checked="" type="checkbox"/></li> <li>WiFi Control <input checked="" type="checkbox"/></li> </ul>



- Input and Output with Screw Terminals, Safe and Reliable
- Triac Dimmable and Mosfet Dimmable
- Leading edge dimming and trailing edge dimming both available
- Innovative minimum brightness setting function
- Enable to Replace All Existing Normal Switches With Push Switches to Get Push Dim Function
- To dim and switch single color dimmable LED lamps, traditional incandescent and halogen lights

# AC Phase Cut RF + Push Dimmer

09.09SAP.04734



- 100-240VAC Wide Input and Output Voltage
- 1 Channel Output, Up to 400W
- Input and Output with Screw Terminals, Safe and Reliable
- Triac Dimmable and Mosfet Dimmable
- Trailing edge dimming
- Innovative minimum brightness setting function
- Single Wire Push Switch Input for Push Dim Function
- Great Compatibility with Universal 8V-230V= Input Push Switches
- Great compatibility with a variety of Perfect RF series single color remote controls
- To dim and switch single color dimmable LED lamps, traditional incandescent and halogen lights
- Mini Size, Easy to be Installed into a standard 86\*86mm wall box
- Radio Frequency : 868mhz

**Picture**

**Function introduction**

Input Voltage	Output Voltage	Output Power
100-240VAC	100-240VAC	1x400W max

**Size**

**Wiring diagram**

(1) With triac dimmable driver

(2) With dimmable lamp

(3) With DC push switch

**Operation**

- 1. Pair with RF remote:**
  - 1.1. Connect and wire up the dimmer correctly.
  - 1.2. Turn on the remote, click the "Learning Key" button on the dimmer, immediately click zone number then touch color wheel on remote, the connected led light on the dimmer flickers twice, means well paired.

**Note:** one dimmer can be paired with max 8 remote controllers.
- 2. Delete the pairing:**
  - 2.1. Wire up the dimmer correctly.
  - 2.2. Hold the " Learning Key" button over 3 seconds until the connected led light flickers twice, means well deleted.
- 3. Setting minimum brightness:**

Adjust brightness to a level you would like, then click the Min.Set button. once set a minimum brightness, the light can only be dimmable between this minimum brightness and maximum brightness.
- 4. Delete the minimum brightness:**

Adjust the brightness to maximum level, then hold the Min.Set button for 3s to delete the minimum brightness.