

Receiver for RGBW Remote & Wifi transmitter

Model: SR-1009FX



Feature

- Work with different sender
- Work with WIFI transmitter
- Control RGBW, RGB, CC-CW, Single color LED lighting.

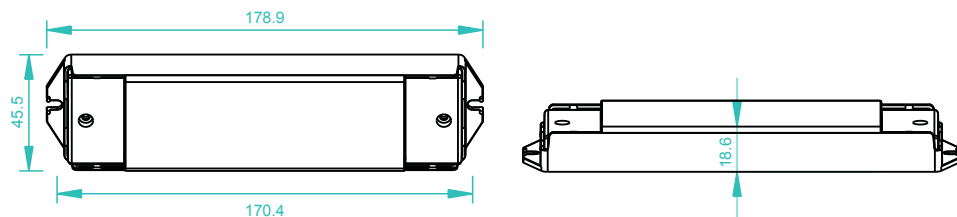
Parameter

| Part No. | Input Voltage | Current | Output | Remarks |
|------------|---------------|---------|---------------|------------------|
| SR-1009FA | 12-36VDC | 4x5A | 4x(60-180)W | Constant voltage |
| SR-1009EA | 12-36VDC | 4x8A | 4x(96-288)W | Constant voltage |
| SR-1009FA3 | 12-36VDC | 4x350mA | 4x(4.2-12.6)W | Constant current |
| SR-1009FA7 | 12-36VDC | 4x700mA | 4x(8.4-25.2)W | Constant current |

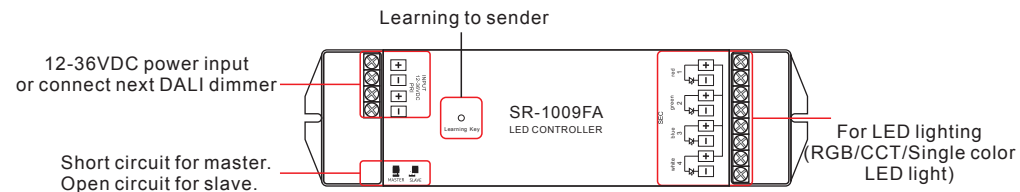
Suitable sender

| | |
|---------------------------|--|
| RGB+W remote | SR-2818, SR-2819, SR-2819S, SR-2838 |
| CCT remote | SR-2819CCT, SR-2819S-CCT, SR-2838-CTT |
| Dimmer remote | SR-2819S-DIM, SR-2838-DIM, SR-2833 |
| RGB+W wall mounted panel | SR-2820/ SR-2820(IT)/ SR-2820(US), SR-2835RGB |
| CCT wall mounted panel | SR-2822/ SR-2822(IT)/ SR-2822(US), SR-2825B/ SR-2825(IT)/ SR-2825(US)/SR-2830B/ SR-2830(IT)/ SR-2830(US), SR-2835DIM |
| Dimmer wall mounted panel | SR-2833k1, SR-2833k2, SR-2833T1/ SR-2833T1(IT)/ SR-2833T1(US), SR-2833T2/SR-2833T2(IT)/ SR-2833T2(US), SR-2835DIM, SR-2825A SR-2825A(IT)/ SR-2825A(US), SR-2830A/ SR-2830A(IT)/ SR-2830A(US) |

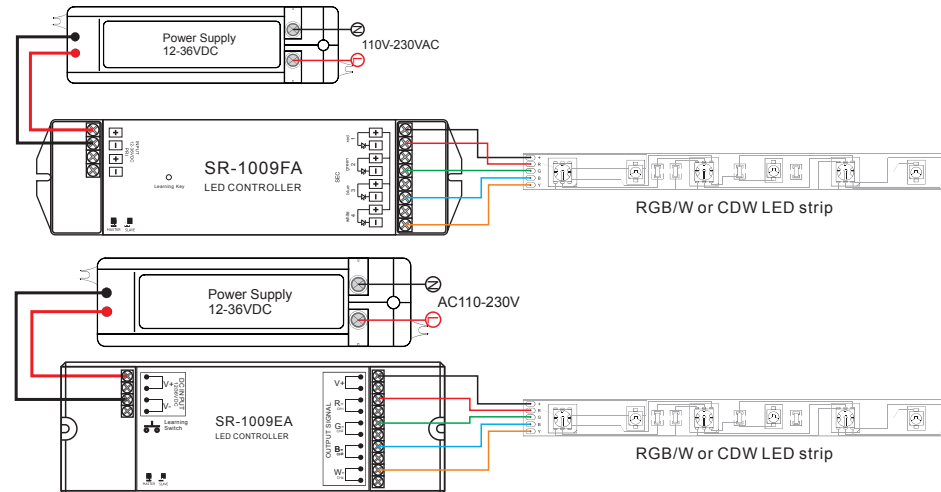
Product Size



Brief introduction of buttons



Wiring diagram



Operation

Learning (matching)

- Do wiring according to connection diagram
- Wake up the remote control by touching ON/OFF button.
- Press learning button on receiver.
- Touch any zone button on remote control.
- Then touch color wheel.
- Connected LED light will blink to confirm zone designation.
- Press at learning button on receiver over 5 seconds until LED light flash, then delete the learned ID.

Note 1: To choose a master from slaves by jumper for each zone.

Short circuit for master.

Open circuit for slave.

Each zone only can set one master controller. After a period of time, the master will do synchronization operation to keep the same color or mode of all slaves in one zone.

Note 2: Each remote control 8 zones (areas) receivers, each area can be learned as many receivers as we can.

Each receiver maximally can be controlled by 8 different remote controllers.

Safety & Warnings

- 1) The product shall be installed and serviced by a qualified person.
- 2) IP20. Please avoid the sun and rain. When installed outdoors, please ensure it is mounted in a water proof enclosure.
- 3) Always be sure to mount this unit in an area with proper ventilation to avoid overheating.
- 4) Please check if the output voltage of any LED power supplies used comply with the working voltage of the product.
- 5) Never connect any cables while power is on and always assure correct connections to avoid short circuits before switching on.
- 6) Please ensure that the cable is secured tightly in the connector
- 7) For update information please consult your supplier.

Warranty Agreement

- 1) We provide lifelong technical assistance with this product:
 - 3-year warranty. We print date on every products, for example :1125 means year 2011, week 25. The warranty is for free repair or replacement and covers manufacturing faults only.
 - For faults beyond the 3-year warranty we reserve the right to charge for time and parts.
- 2) Limited Warranty
 - Any defects caused by wrong operation.
 - Any damages caused by unauthorized removal, maintenance, modifying, incorrect connection and replacement of chips.
 - Any damages due to transportation, vibration etc. after purchase.
 - Any damages caused by earthquake, fire, lightning, pollution and abnormal voltage.
 - Any damages caused by negligence, inappropriate storing at high temperatures and humidity or near harmful chemicals.
 - Product has been updated
- 3) Repair or replacement as provided under this warranty is the exclusive remedy to the customer.