

Specification

Model : M113BA

Description : 3pcs 3528SMD LED, 12VDC, constant voltage, 0.24W per module, Waterproof with ABS housing & epoxy sealed (UL)

Prepared by : _____

Checked by : _____

Standard Dept : _____

Approved by : _____

Issued Status: Draft Published

Specification

Product Name: Hades Series

Model: M113BA



Applications

Suitable for 8-18cm [3.15~7.09in] depth signs such as channel letter, metal letter, light box and so on.

Features

- 1.3528SMD LED mounted ;
- 2.Maximum module quantity per string up to 20pcs;
- 3.Waterproof with ABS housing & epoxy sealed;
- 4.Certification: RoHS, UL (UL file #E340368).

Installation

1. Adhesive tape backing on modules used as an installation aid only, permanent adhesion is done with screws;
2. Single module as a unit can be used.

Warranty

3 years or 13,000 hours, whichever come first.

Optical and Electrical Parameters:

P/N	LED Color	Color Temperature (K) Wavelength (nm)	Beam Angle (°)	Luminous Flux (lm/piece)	CRI	Luminous Efficacy (lm/W)	Working Voltage (V DC)	Power (W/piece)
M113BA-UL	Warm White	3000	115	21	≥75	88	12	0.24
M113BA-UL	Neutral White	6000	115	21	≥75	88	12	0.24
M113BA-UL	Cold White	9000	115	21	≥75	88	12	0.24
M113BA-UL	Red	620~625	115	7	--	29	12	0.24
M113BA-UL	Green	525~530	115	12	--	50	12	0.24
M113BA-UL	Blue	465~470	115	3	--	13	12	0.24
M113BA-UL	Yellow	585~590	115	5	--	21	12	0.24

Others:

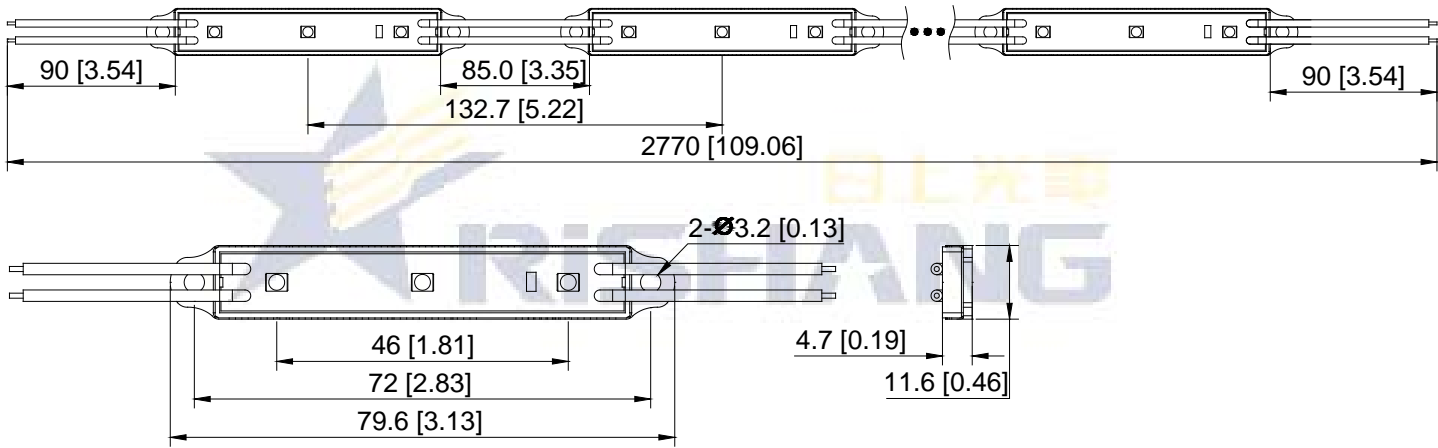
P/N	LED Color	Standard Qty per String (pcs)	Max. Qty per String(pcs)		Weight (/piece)		Operating Temperature		Storage Temperature		IP Grade
			Single-end power feed	Double-end power feed	g	lb	(°C)	(°F)	(°C)	(°F)	
M113BA-UL	White	20	20	--	5.4	0.012	-25~+60	-13~+140	-25~+70	-13~+158	IP65
M113BA-UL	Red										
M113BA-UL	Green										
M113BA-UL	Blue	20	20	--	6	0.013	-25~+60	-13~+140	-25~+70	-13~+158	IP65
M113BA-UL	Yellow										

Notes:

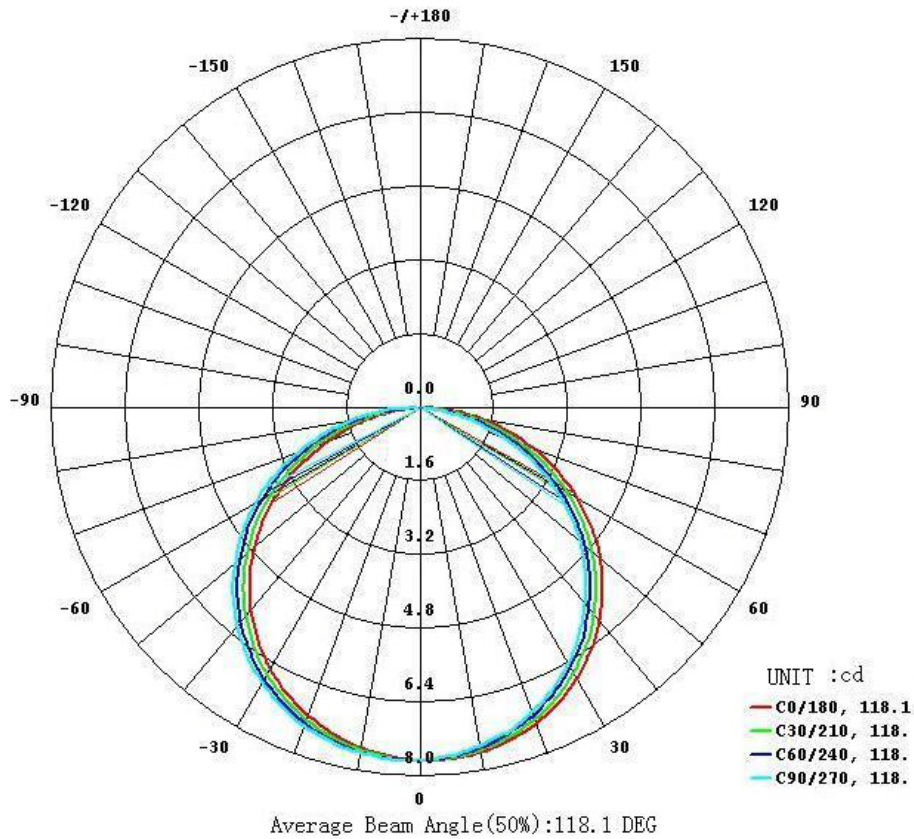
- ① Testing environment temperature: 25±2°C [77±3.6°F]
- ② The above data are typical values; the actual data of each single product could differ from the typical values. The data subject to change without prior notice.

Profile Drawings:

Unit: mm[in]

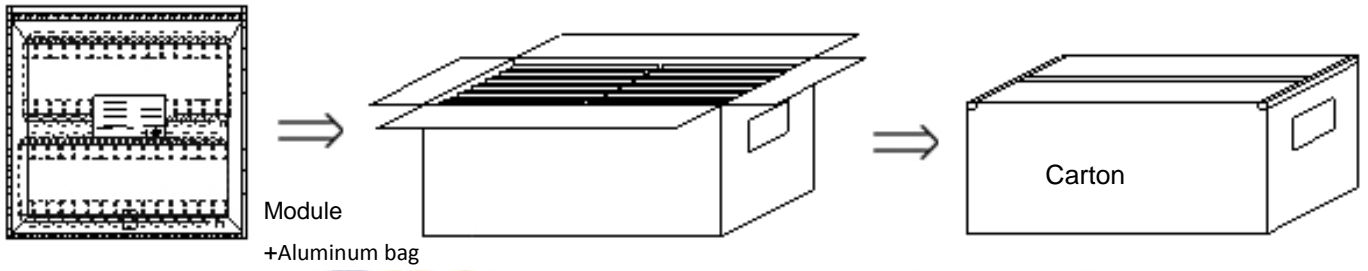


Light Distribution:



(M113BA)

Packaging Diagram:



Packaging:

1. Carton Dimension: 52*37*26cm=0.0500 (1±10%) CBM [20.47*14.57*10.24in]
2. 20 modules per string, 6 strings per bag, 25 bags per carton, 3000 modules in total;
3. Net Weight (N.W): 16.3 (1±10%) kg [35.935 (1±10%) lb];
4. Gross Weight (G.W): 18.2 (1±10%) kg [40.146 (1±10%) lb];
5. The actual packed quantity and weight subject to change without prior notice.

